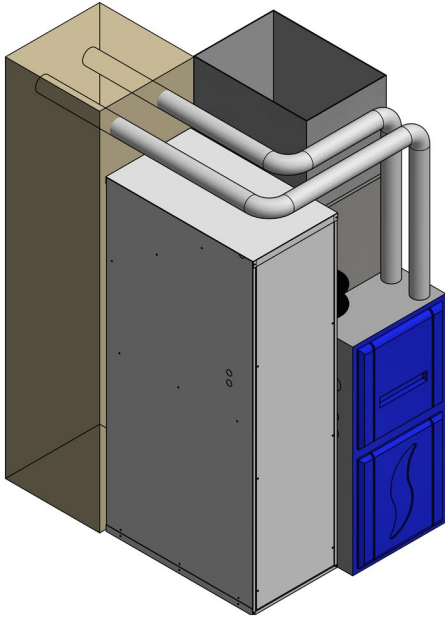


# RETROPAK

## RPC-CONDENSING UNIT



### RPC-CONDENSING UNIT

VERTICAL PACKAGED SPLIT SYSTEM  
CONDENSING UNIT CAN BE  
PAIRED WITH A GAS FURNACE & COIL  
TO REPLACE SKYMARK SKYPAK

### COOLING CAPACITIES:

12,000 BTUH, 18,000 BTUH,  
24,000 BTUH, 30,000 BTUH

REFRIGERANT: R-410A

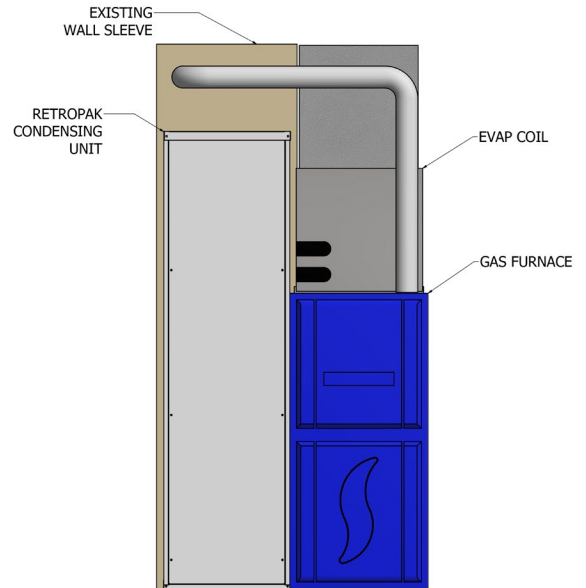
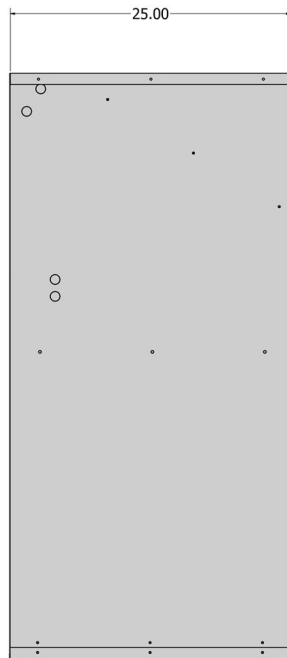
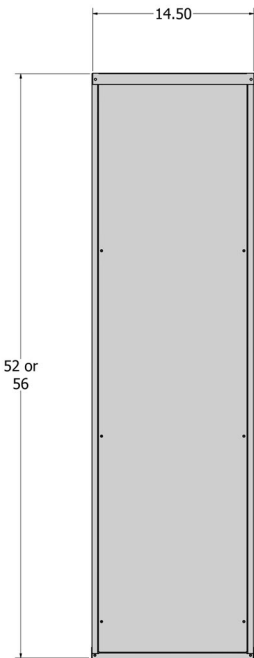
VOLTAGE: 230V/1PH/60HZ

CONTROL VOLTAGE: 24VAC

WARRANTY: 2 YEARS PARTS

5 YEARS COMPRESSOR, COIL, CABINET

\*FURNACE VENTING TO CONFORM TO LOCAL CODES  
AND FURNACE MANUFACTURER'S REQUIREMENTS



### MODEL NUMBER CONVERSION

SKYPAK MODEL NUMBER

RETROPAK MODEL NUMBER

S = SKYPAK "S" SERIES = RPC 56  
R = SKYPAK "R" SERIES = RPC 52

**S GAD 60 24 12 L C = RPC 56 - 24 + FURNACE & COIL**

GAD = GAS HEAT COOLING  
EAD = ELECTRIC INPUT CAPACITY  
WAD = HYDRONIC MBH BTUH

RETROPAK 56 = "S" COOLING  
CONDENSING 52 = "R" CAPACITY  
UNIT BTUH